

# LBR-S SmartFilter with screw conveyor

The filter is designed for small and medium-sized air flows with large material concentration.



## Specification

Parameters	Description
Temperature	Max. 167°F (75°C)
Positive pressure	Max. 3.2 in H <sub>2</sub> O (800 Pa)
Negative pressure	Max. 2 in H <sub>2</sub> O (500 Pa) for Standard (overpressure) Option 20.1 in H <sub>2</sub> O (5000 Pa) only for Vacuum version
Reduced pressure in vessel	P <sub>red</sub> < 0,2 bar (20 kPa)
Power supply:	208-230/460 or 575 V (230 / 400 V) Regeneration fan – 3 HP (2,2 kW) option - 1.5 HP (1,1 kW)
Filter element	Superbag 2000 XT15 with ø200 mm collar
Max. quantity of modules	6 modules
Filter area per module	HJ: 915 ft <sup>2</sup> (85 m <sup>2</sup> )
Max. filtration area	HJ: 5,490 ft <sup>2</sup> (510 m <sup>2</sup> )
Door switch	At the inspection doors in the filter hopper. At one filter module door per each 5 modules. At each inlet module door.

## Product Marking of LBR-S SmartFilter:

The marking is based on product certificate Baseefa 06 ATEX 0068X:

- The explosion relief doors are marked:



The LBR-S SmartFilters with screw conveyor is designed for small and medium-sized air flows with large material content, for example filtration of waste-laden extracted air particularly in the wood and paper industries.

The medium/large particles are separated in the filter hopper (inlet section optional) and the air is afterwards distributed to the filter bags. The collected material is discharged through the rotary valve or screw conveyor.

The filter is typically used in situations requiring non-pressurized material discharge directly into a silo, container or separate material transport system.

The filter can be supplied for either continuous operation or with a pause for cleaning of the filter bags every four hours.

The LBR-S Smartfilter is suitable for explosive dusts type St1 and St2.

## Description

The LBR-S Smartfilter is a modular filter made of galvanised steel sheets.

Size of base module: 47.25x47.25 in (1200x 1200 mm).

The filter is self-supporting; it has telescopic supporting legs and is suitable for outdoor locations.

Each module of the module filter construction is fitted with a combined inspection and explosion relief door. Side venting is standard. (Option – top venting or venting type UP).

The filter is available in type J– two modules 94.5 in (2400 mm) wide.

Inlet of air in hopper or via inlet module.

A regeneration fan can be mounted for reverse air cleaning of the filter bags according to a pre-set sequence. Positioning of the regeneration fans - optional on the roof or on the side.

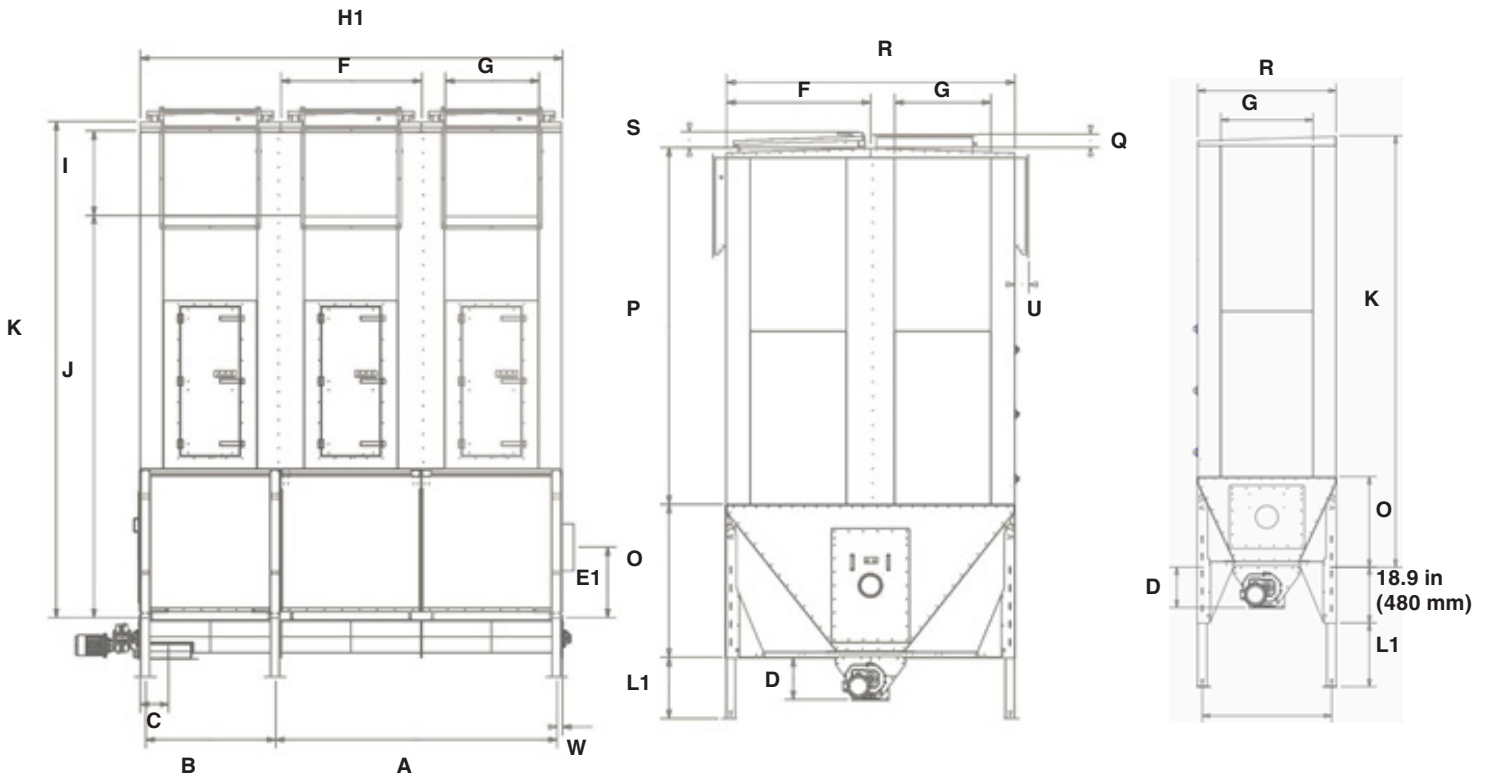
Superbag 2000 XT15 antistatic polyester filter bags are standard (50 per module).

For dust type St1 for installation in non-zone is marked:



For dust type St1 and St2, the filter body is marked:





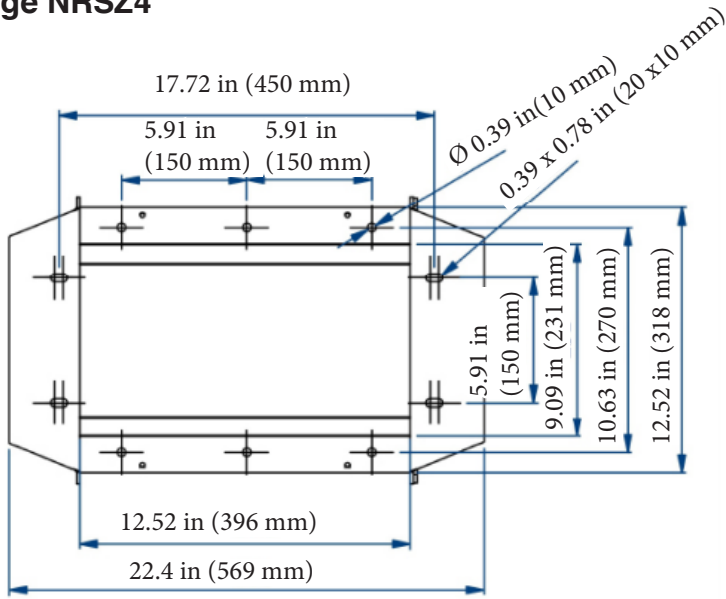
Unit	Type	A #	B	C	D	E1	F	G	H1	I	J**	K**	M	O
mm	J	2400	1106	242	350	482	1200	800	3600	720	3420	4220	2321	1260
in	J	94.5	45.67	9.65	13.78	18.98	47.24	31.50	141.73	28.35	134.65	166.14	91.38	49.61
Unit	Type	P**	Q	R	S	U	W							
mm	J	2960	135	2400	115	150	47							
in	J	116.54	5.31	94.5	4.53	5.91	1.85							

\* Optional position of outlet / reg. fan.

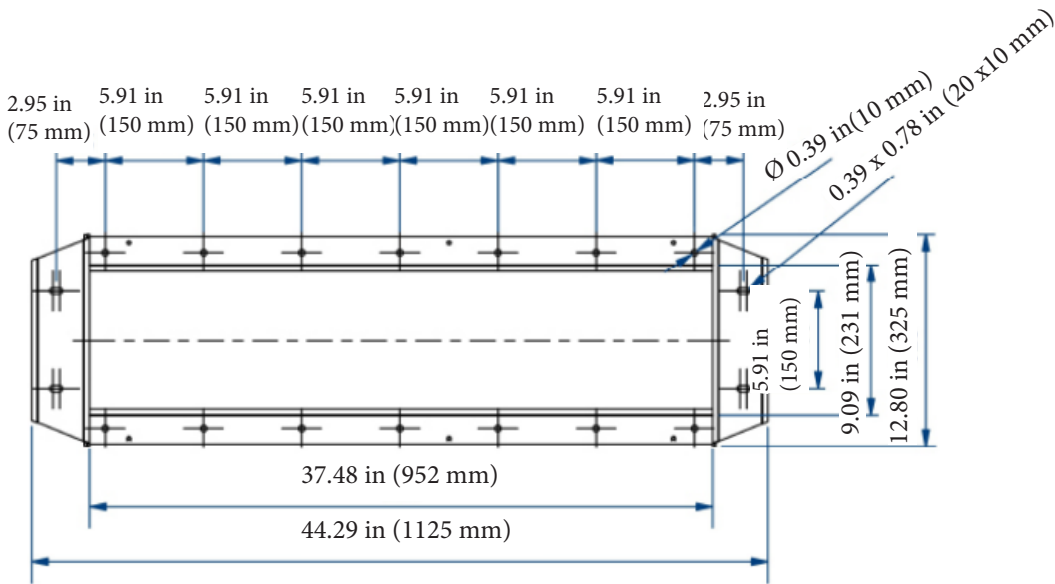
Filter length		
Type	H1	
	mm	in
1 HJ	1200	47.24
2 HJ	2400	94.5
3 HJ	3600	141.73
4 HJ	4800	189.0
5 HJ	6000	236.22
6 HJ	7200	283.46

L1 - telescopic filter legs				
Type	Min. Adjust		Max. Adjust	
	mm	in	mm	in
L= 1196	155	6.1	850	33.46
L= 1596	555	21.85	1250	84.65
L= 2195	1155	45.47	1850	72.83
L=2596	1555	61.22	2250	88.58

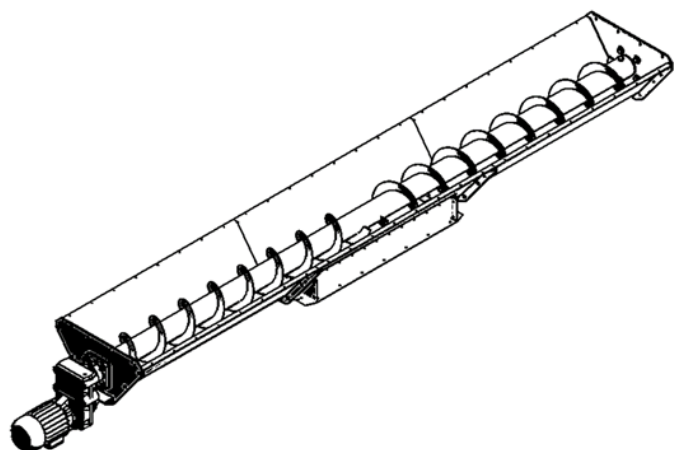
### Flange NRSZ4



### Flange NRSZ10



## Screw conveyor



**Example: screw conveyor**  
**141.73 in (3600 mm) with outlet on the middle**

### Advantages

- Reliable
- Minimal maintenance need
- Useable in ATEX zone 22 and 21

### Options

Lengths of 94.5 in (2400 mm), 141.73 in (3600 mm), 189 in (4800 mm), 236.22 in (6000 mm), 283.5 in (7200 mm) are possible.

Outlet for rotary valves: NRS4 or NRS10

The screw conveyor can be used for transporting dust and chips within various industries including wood. The screw conveyor can be used as a separate conveyor or fitted directly under a filter.

### Description

The screw conveyor type PSK is made in galvanized steel plate. The hopper and the top panel are made in 14 ga (2 mm) steel. The hopper is made in modules, each 47.24 in (1200 mm) and can be supplied in 2 - 6 modules 94.5 in – 283.5 in (2400 - 2700 mm). As standard the hopper can be supplied with outlet in the driving end, opposite the driving end and in the middle. The outlet can be supplied to fit the rotary valves type NRS4 and NRS10. The outlet is also available with a transition from rotary valve NRS4 to NRS3.

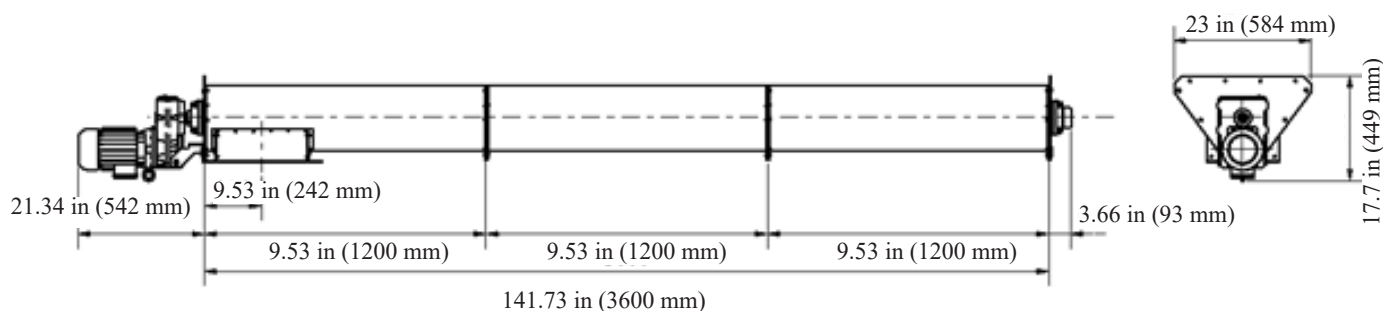
The screw has a 4.25 in (108 mm) center pipe and the windings are 1.81 in (46 mm) high and made in 8 ga (4 mm) steel. The gradient of the screw conveyor is 7.87 in (200 mm). The capacity at 30 rpm is approx. 350 ft<sup>3</sup>/h (10 m<sup>3</sup>/h).

Standard motor size 2 HP (1.5 kW).

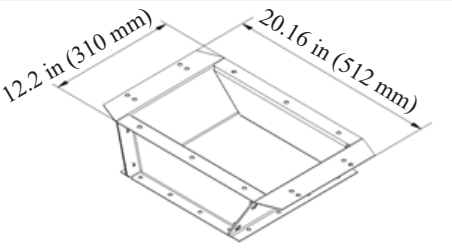
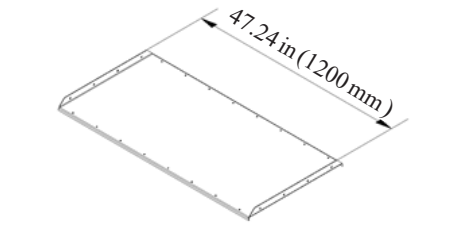
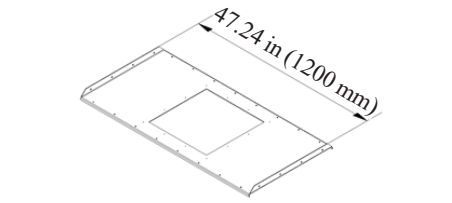
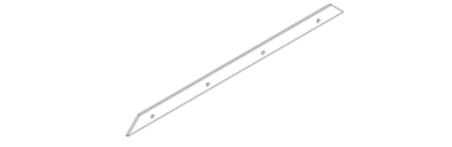
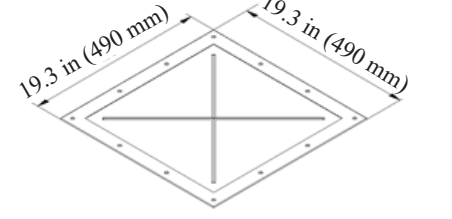
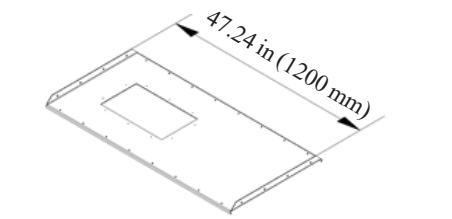
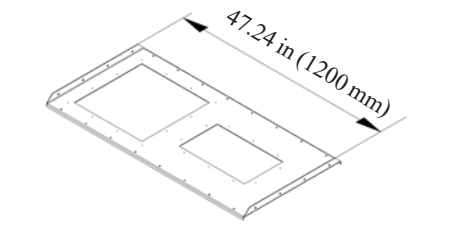
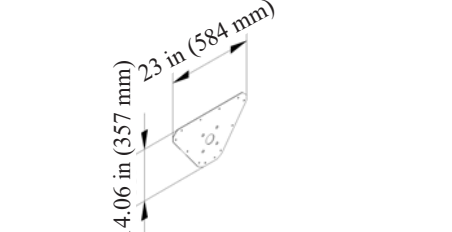
The screw conveyor is also available in ATEX version for mounting in zone 22 or zone 21. The inner section of the screw conveyor is defined as zone 20. Depending on the version additional explosion membranes on the screw conveyor top are necessary.

### Dimension

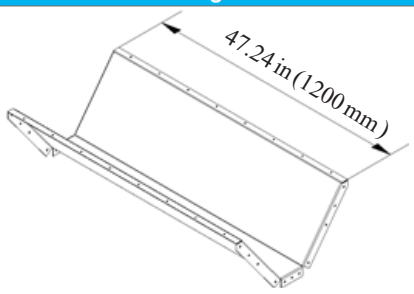
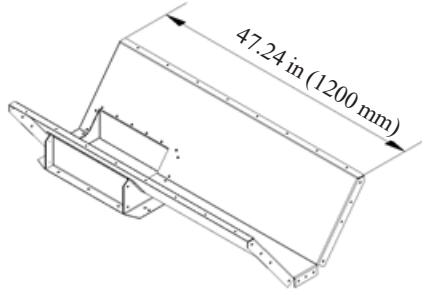
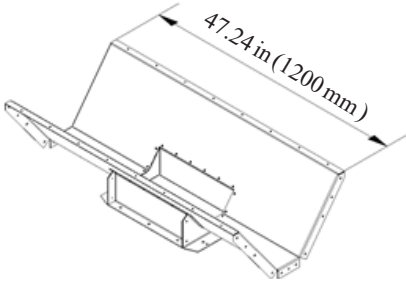
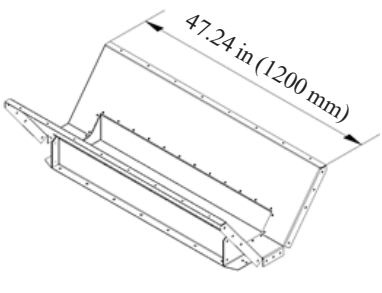
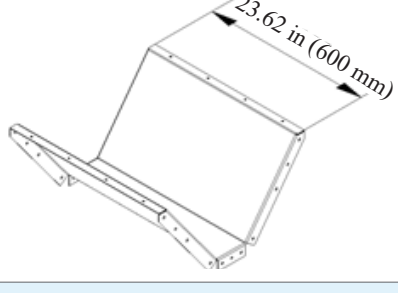
Example of module length 141.73 in (3600 mm):



Accessories for screw conveyor

Description	Figure	Item number
Transition to NRS3 rotary valve		5503412
Closed top panel		5503406
Top panel with hole for Ex membrane		5503408
Flange for assembling of top panels		5503407 (1 pc. Per top panel + 1 pc.)
Ex membrane		5502155
Top panel with hole for NRS4 inlet		5503417
Top panel with hole for Ex. membrane and NRS4 inlet		5503416
End panel		5503395

Hoppers

Figure	Item number
	5503397
	5503420
	5503421
	5503422
	5503415

Ordering

By ordering LBR-S, please specify:

- Dust characteristics  $K_{ST}$  and  $p_{max}$
- Zone-rating of place for installation (Non-zone)
- Filter material type (only antistatic)
- Answers to the question session in the configurator.